



# Push Buttons

(Cat 800B-\_\_\_)

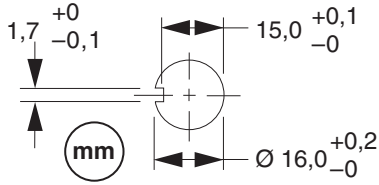


## WARNING

To prevent electrical shock, disconnect from power source before installing or servicing.



UL / CSA Type 4, 4X, 13 EN / IEC IP66  
Environmental ratings are maintained when Recognized or Listed components with same ratings are used.

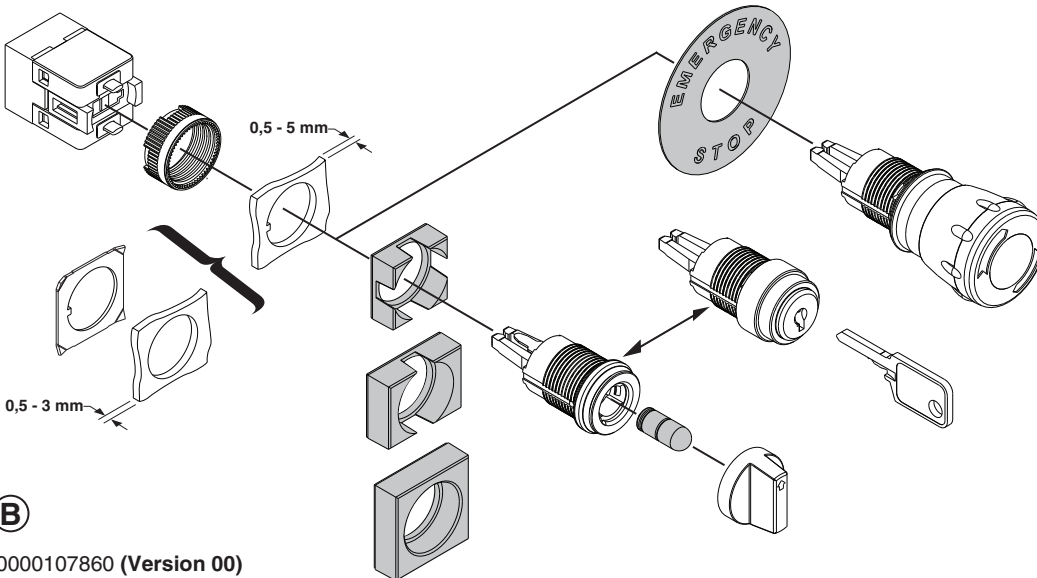
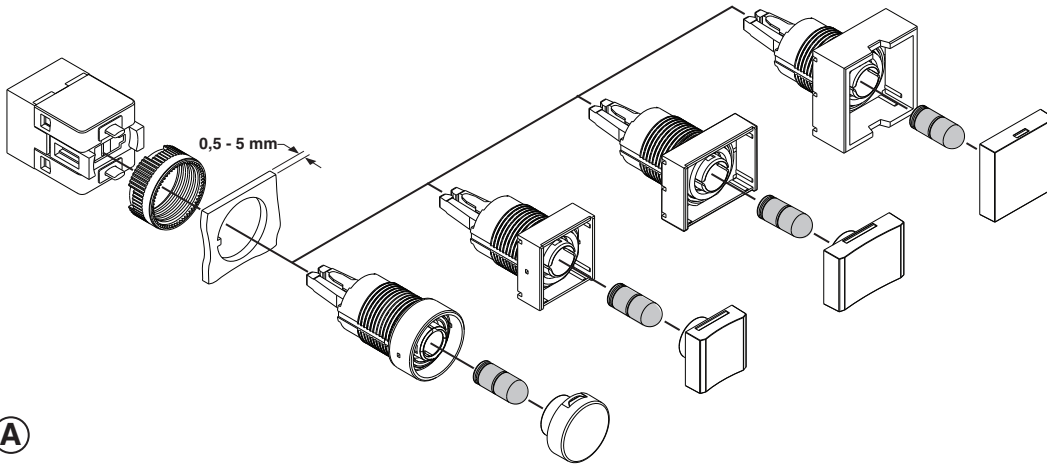


Option  
Wahl  
Opzione  
Opção  
Opción  
选项  
オプション

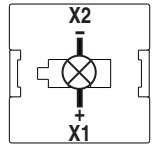
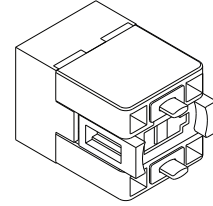


Optional  
En Option  
Wahlweise  
Opzionale  
Opcional  
可选择的  
オプションアクセサリ

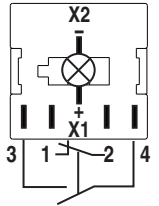
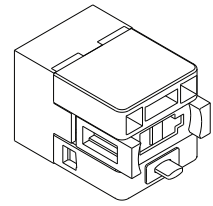
<b>A</b>						
<b>B</b>						
		<b>18</b>	<b>18</b>	<b>24</b>	<b>30</b>	<b>40</b>
		<b>18</b>	<b>24</b>	<b>24</b>	<b>30</b>	<b>40</b>



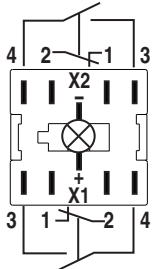
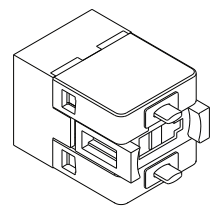
### 800B-PL



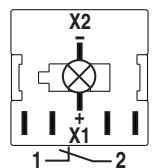
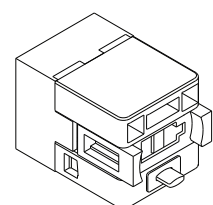
### 800B-PS11



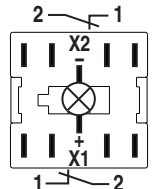
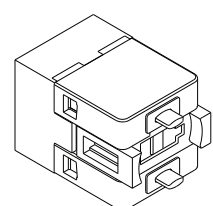
### 800B-PS22



### 800B-PT01



### 800B-PT02



### 800B-PT11

